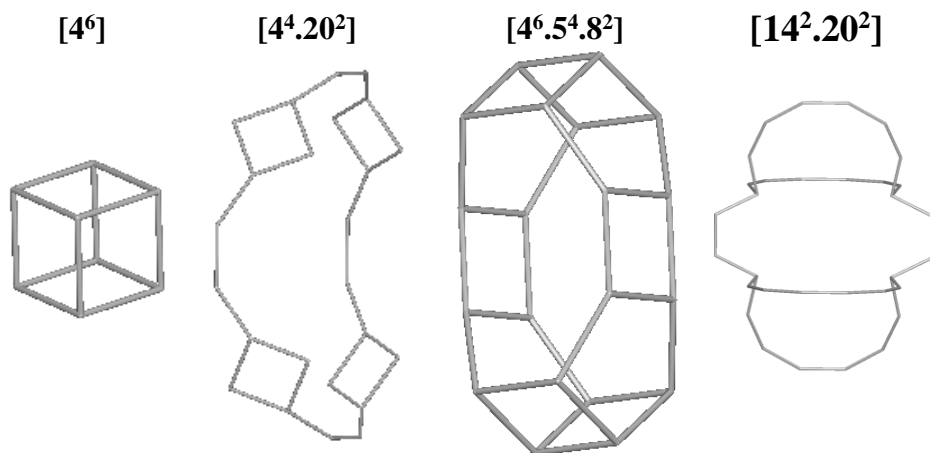






$$6[4^6]+2[4^4 \cdot 20^2]+[4^6 \cdot 5^4 \cdot 8^2]+[14^2 \cdot 20^2]+2[4^2 \cdot 5^4 \cdot 20^2]+[4^{12} \cdot 5^{12} \cdot 8^2 \cdot 12^2 \cdot 14^2]+[4^{14} \cdot 5^{24} \cdot 12^2 \cdot 20^2]$$

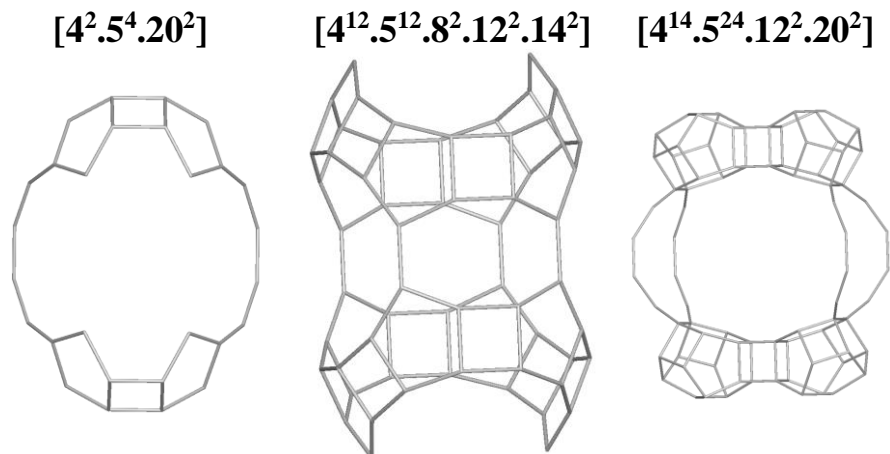
TILES

Face symbol:



| | | | | |
|-----------|-----------------------------------------------------------------------------------------|-------------------------------------------------------------------------------------------|----------------------------------------------------------------------------------------------|----------------------------------------------------------------------------------------------|
| V, E, F: | (8, 12, 6) | (24, 28, 6) | (20, 30, 12) | (32, 34, 4) |
| Symmetry: | <i>m2m</i> , $\bar{1}$ | <i>mm2</i> | <i>mmm</i> | <i>mmm</i> |
| Wyckoff: | 4 <i>h</i> , 8 <i>k</i> | 4 <i>j</i> | 2 <i>c</i> | 2 <i>d</i> |
| Label: | t-cub  | t-mot-a  | t-ifu-1*  | t-ifu-2*  |

Face symbol:



| | | | |
|-----------|----------------------------------------------------------------------------------------------|------------------------------------------------------------------------------------------------|------------------------------------------------------------------------------------------------|
| V, E, F: | (28, 34, 8) | (60, 88, 30) | (80, 120, 42) |
| Symmetry: | <i>mm2</i> | <i>mmm</i> | <i>mmm</i> |
| Wyckoff: | 4 <i>j</i> | 2 <i>a</i> | 2 <i>b</i> |
| Label: | t-ifu-3*  | t-ifu-4*  | t-ifu-5*  |

TILING

